

HRX008 8 Channel Receiver

Installation Manual



Features:

- 8 Channels, both with 1A rated relay outputs
- 3 way Terminal Output for Tamper, Low Battery and Common
- 10 LEDs for Channel, Tamper and Low Battery Indication
- Jumpers selects whether Outputs are: NC or NO, Latched or Timed and duration of Output if Timed
- Self-Learn up to 24 separate Transmitters to Receiver
- 12V DC 0.5A Operation (2 wires Red and Black)
- Jumper select whether Transmitter Low Battery indication or Tamper indication via built-in buzzer

Jumper Selection

Jumper 1 (JP1) for NO or NC.
 Jumper 2 (JP2) for toggle latched or Timed
 Jumper 3 (JP3) for timed duration 1 sec or 3 sec
 Jumper 4 (JP4) for mode selection as to whether an Alarm Relay activates on tamper or low battery signals

Jumper closed = NO
 Jumper closed = Timed
 Jumper closed = 3 secs
 Jumper closed = Common Relay for Tamper or Low Battery Activates and the Alarm Relay for the Channel on which that Tamper or Low Battery has occurred activates. Also either the Orange Low Battery LED or the Red Tamper LED and the Green Channel LED will flash
 Jumper open = Same as above except the Alarm Channel Relay will not activate

NB: Press SW2 to clear any illuminated LEDs

Learning Transmitters to the Receiver

- Open the small lid on the top of the receiver with a flat edged screw driver and locate the SW1 push button
- Push down on SW1, the Channel 1 LED will light up. The Receiver is now in self-learn mode and Transmitters can be learnt to Channel 1
- Cause a transmission from one of the Transmitters you wish to learn to Channel 1 of the Receiver. If successful, the LED will turn off and the Receiver will exit self-learn mode.
- Repeat the process for further Transmitters you wish to learn (max 24). To select another Channel to learn a Transmitter to, whilst in self-learn mode, push SW1 again briefly to move from Channel 1 to Channel 2 (and so on). In each instance the corresponding Channel LED will turn on
- If the Transmitter code is already in the Receiver's memory, the LED will flash twice and stay in self-learn mode. If the memory is full, the LED will flash 5 times
- If no Transmitter is activated within 120 seconds, the Receiver will automatically exit self-learn mode
- To exist self-learn mode manually, press SW2
- To clear memory – power off the Receiver, then depress SW1. With the button still depressed, reconnect power. The LED will flash twice and self-learn mode will be automatically entered

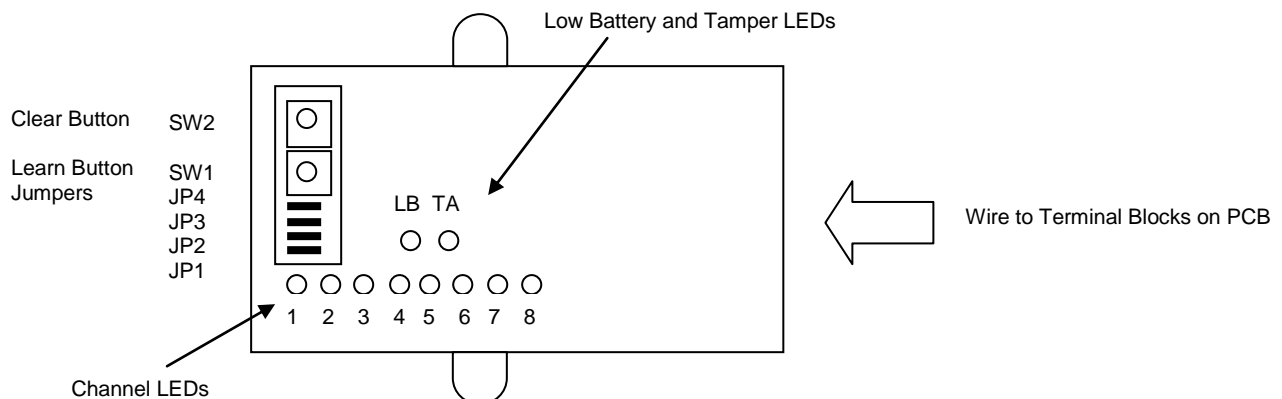
Example: A client has 4 Transmitters. He wishes to learn the first to Channel 1 and the others to Channel 2 and Channel 4 respectively. Actions:

- Power up the Receiver. Press SW1 and LED1 will light up
- Activate 1st Transmitter and LED 1 will turn off. Transmitter 1 is now learnt to Channel 1
- Press SW1 again and LED 1 will light up. Activate the 2nd Transmitter, LED 1 will turn off. Transmitter 2 is now learnt to Channel 1 as well
- Press SW1 again and LED 1 will light up. Press SW1 again twice and LED 3 will light up. Activate the 3rd Transmitter and LED 3 will turn off
- Press SW1 again and LED 1 will light up. Press SW1 again 3 times so that LED 4 lights up. Activate the 4th Transmitter, LED 4 will turn off

NB: If you are learning a Keyfob to the Receiver, then you will need to learn EACH button to a different Channel on the Receiver (each button is considered a separate Transmitter).

Clearing all Transmitters from the Receiver

- Power off the Receiver, then depress the Learn Button SW1
- With SW1 still depressed, reconnect the power to the Receiver
- All Channel LEDs will flash once to indicate the memory has been cleared and the Receiver will re-enter Learn Mode Automatically



Keystone Electronics Ltd

Tel: +44 (0)1305 851575

Email: sales@keystone-electronics.co.uk

Web: www.keystone-electronics.co.uk